

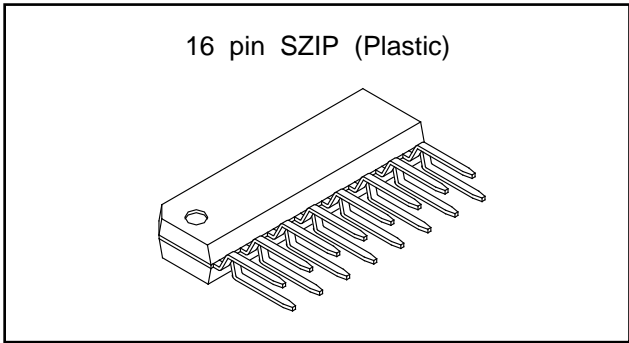
All Band TV Tuner IC (VHF-CATV-UHF)

Description

The CXA1695L is a single chip TV tuner IC which performs as an oscillator, mixer for VHF/CATV and UHF bands. An IF amplifier is also provided.

This IC achieves a large reduction of external parts in addition to miniaturizing the tuner and increasing manufacturing productivity, reliability and design efficiency.

This IC is pin-compatible with the CXA1594L with improvement in noise figure and oscillation stability.



Features

- On-chip oscillator and mixer for UHF band
- Low noise figure
- Reduced spurious interference
- Superior cross modulation
- Stable oscillation characteristics
- Ultra small package ensures tuner miniaturization

Applications

- CTV tuner
- CATV UP-DOWN converter

Structure

Bipolar silicon monolithic IC

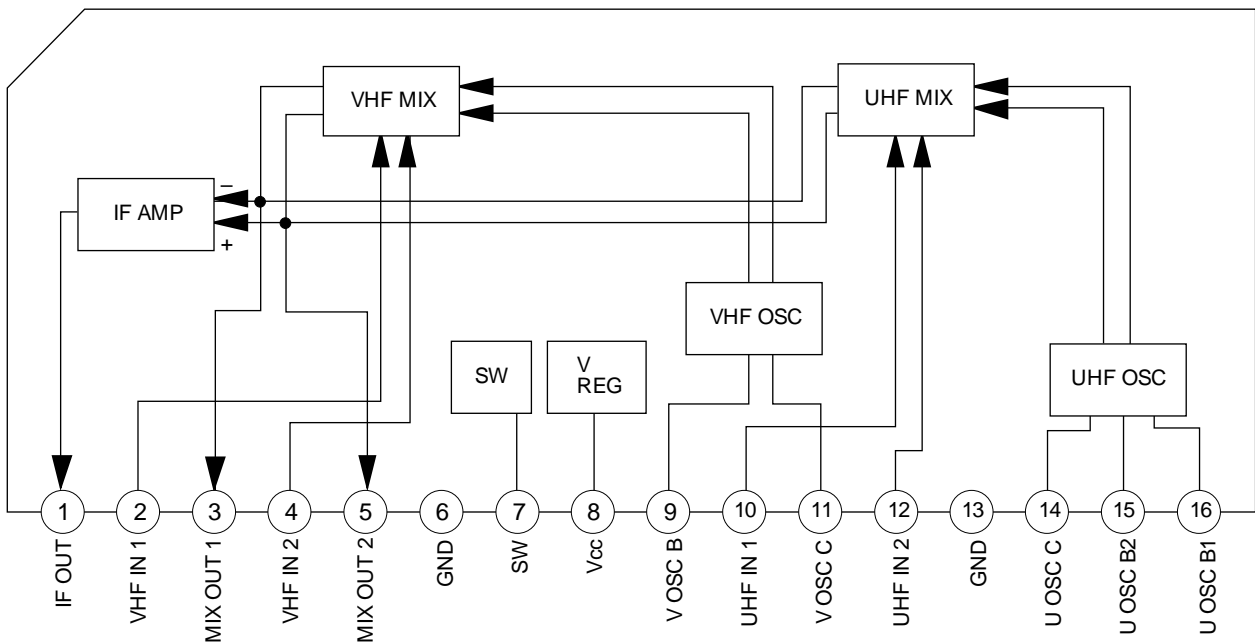
Absolute Maximum Ratings (Ta=25 °C)

• Supply voltage	V _{CC}	11	V
• Storage temperature	T _{stg}	-55 to +150	°C
• Allowable power dissipation	P _D	930	mW
(when mounted on board)			

Operating Conditions

• Supply voltage	V _{CC}	8.1 to 9.9	V
• Operating temperature	T _{opr}	-20 to +75	°C

Block Diagram and Pin Configuration



Sony reserves the right to change products and specifications without prior notice. This information does not convey any license by any implication or otherwise under any patents or other right. Application circuits shown, if any, are typical examples illustrating the operation of the devices. Sony cannot assume responsibility for any problems arising out of the use of these circuits.

Pin Description and Equivalent Circuit

Pin No.	Symbol	Typical pin voltage (V)	Equivalent circuit	Description
1	IF OUT	Under VHF operation 4.4		IF output.
		Under UHF operation 4.4		
2	VHF IN 1	3.2		VHF input. Normally a decoupling capacitor is connected at pin 2 to GND and pin 4 is used for input.
		3.3		
4	VHF IN 2	3.2		
		3.3		
3	MIX OUT 1	7.5		Mixer output and IF amplifier input.
		7.2		
5	MIX OUT 2	7.5		
		7.2		
6	GND	0		GND
7	SW	3V or more		UHF/VHF switch pin. Connect 9V source through about a 10kΩ resistor for VHF reception; 0V or leave open for UHF.
		0.4V or less		

Pin No.	Symbol	Typical pin voltage (V)	Equivalent circuit	Description
8	Vcc	9.0		Power supply
9	V OSC B	3.5		VHF oscillator.
		3.7		
11	V OSC C	6.7		VHF oscillator.
		9.0		
10	UHF IN 1	3.3		UHF input. The balanced input to Pins 10 and 12, or a decoupling capacitor is connected at Pin 12 to GND and Pin 10 is used for input.
		3.1		
12	UHF IN 2	3.3		UHF input. The balanced input to Pins 10 and 12, or a decoupling capacitor is connected at Pin 12 to GND and Pin 10 is used for input.
		3.1		
13	GND	0		GND
14	U OSC C	9.0		UHF oscillator.
		6.5		
15	U OSC B2	3.6		UHF oscillator.
		3.4		
16	U OSC B1	3.6		UHF oscillator.
		3.4		

Electrical Characteristics

See Electrical Characteristics Test Circuit ($T_a=25^{\circ}\text{C}$, $V_{CC}=9\text{V}$)

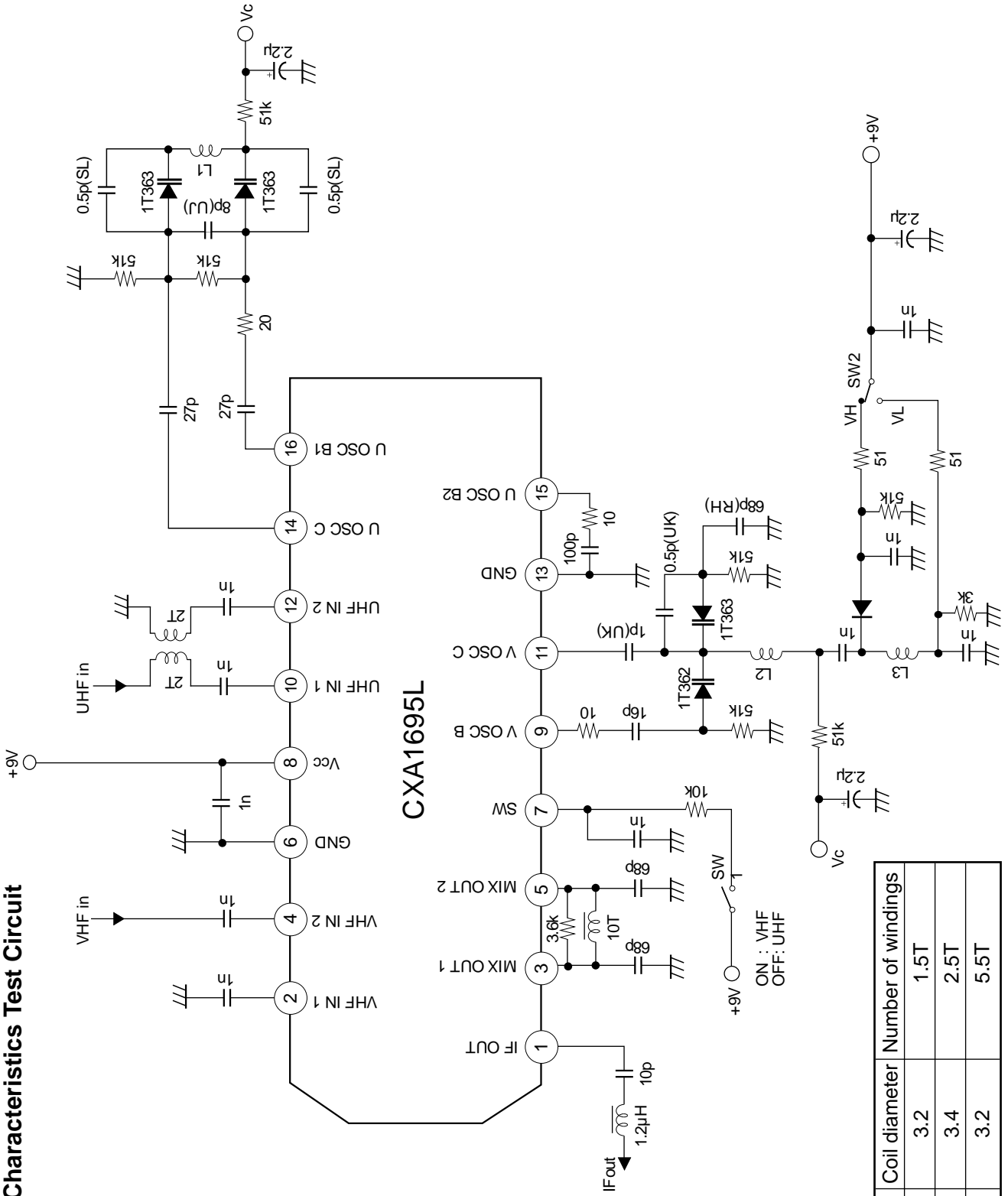
Item	Symbol	Measurement conditions	Min.	Typ.	Max.	Unit
Circuit current	IccV	VHF operation, no signal		45.0	58.0	mA
	IccU	UHF operation, no signal		45.0	58.0	mA
Conversion gain *1	CG1	VHF operation, $f_{RF}=55\text{ MHz}$, input level -40 dBm	17.5	20.5	23.5	dB
	CG2	VHF operation, $f_{RF}=360\text{ MHz}$, input level -40 dBm	18.0	21.0	24.0	dB
	CG3	UHF operation, $f_{RF}=360\text{ MHz}$, input level -40 dBm	23.0	26.0	29.0	dB
	CG4	UHF operation, $f_{RF}=800\text{ MHz}$, input level -40 dBm	24.0	27.0	30.0	dB
Noise figure *1*2	NF1	VHF operation, $f_{RF}=55\text{ MHz}$		9.5	12.5	dB
	NF2	VHF operation, $f_{RF}=360\text{ MHz}$		10.0	13.0	dB
	NF3	UHF operation, $f_{RF}=360\text{ MHz}$		6.0	10.0	dB
	NF4	UHF operation, $f_{RF}=800\text{ MHz}$		7.0	11.0	dB
1% cross modulation *1*3	CM1	VHF operation, $f_D=55\text{ MHz}$ $f_{UD}=\pm 12\text{ MHz}$	95.0	99.0		dB μ
	CM2	VHF operation, $f_D=360\text{ MHz}$ $f_{UD}=\pm 12\text{ MHz}$	93.0	97.0		dB μ
	CM3	UHF operation, $f_D=360\text{ MHz}$ $f_{UD}=\pm 12\text{ MHz}$	86.0	90.0		dB μ
	CM4	UHF operation, $f_D=800\text{ MHz}$ $f_{UD}=\pm 12\text{ MHz}$	86.0	90.0		dB μ
Max. output power	Pomax (sat)	50 Ω load	+8.0	+12.0		dBm
Switch ON drift	Δf_{sw1}	VHF operation, $f_{osc}=100\text{ MHz}$ Frequency drift from 3 s to 3 min. after switch ON			± 300	kHz
	Δf_{sw2}	VHF operation, $f_{osc}=405\text{ MHz}$ Frequency drift from 3 s to 3 min. after switch ON			± 400	kHz
	Δf_{sw3}	UHF operation, $f_{osc}=405\text{ MHz}$ Frequency drift from 3 s to 3 min. after switch ON			± 600	kHz
	Δf_{sw4}	UHF operation, $f_{osc}=845\text{ MHz}$ Frequency drift from 3 s to 3 min. after switch ON			± 700	kHz
+B supply voltage drift	Δf_{st1}	VHF operation, $f_{osc}=100\text{ MHz}$ Frequency shift when $V_{CC} +9\text{ V}$ changes $\pm 5\%$			± 200	kHz
	Δf_{st2}	VHF operation, $f_{osc}=405\text{ MHz}$ Frequency shift when $V_{CC} +9\text{ V}$ changes $\pm 5\%$			± 300	kHz
	Δf_{st3}	UHF operation, $f_{osc}=405\text{ MHz}$ Frequency shift when $V_{CC} +9\text{ V}$ changes $\pm 5\%$			± 400	kHz
	Δf_{st4}	UHF operation, $f_{osc}=845\text{ MHz}$ Frequency shift when $V_{CC} +9\text{ V}$ changes $\pm 5\%$			± 400	kHz

*1) Measured value for untuned inputs. Unbalanced input for VHF; balanced input for UHF.

*2) Noise figure is uncorrected for image.

*3) Desired signal (f_D) input level is -34 dBm . Undesired signal (f_{UD}) is 100 kHz at 40% AM. The measurement value is undesired signal level, it measured with spectrum analyzer at $S/I=46\text{ dB}$.

Electrical Characteristics Test Circuit



Wire diameter	Coil diameter	Number of windings
L1	3.2	1.5T
L2	3.4	2.5T
L3	3.2	5.5T

Description of Operation (See Electrical Characteristics Test Circuit)

(1) VHF oscillator circuit

The differential oscillator circuit with Pin 11 output and Pin 9 input.

Connect an LC resonance circuit comprising a varicap diode to Pin 11 through a coupling capacitor. The positive feedback from the resonance circuit is applied to Pin 9 through a feedback capacitor to execute oscillation. Note that if a parasitic capacitance across Pins 9 and 11 is too large, it may cause undesired oscillation.

(2) VHF mixer circuit

This is a double-balanced mixer having small leakage of local oscillation signal. The RF signal input terminal are Pins 2 and 4. In normal use, the signal is input to one pin while the other pin is connected to GND by decoupling capacitor. The RF signal is converted to IF with the signal supplied from oscillator. The converted RF is sent to the IF amplifier and output to Pins 3 and 5 simultaneously.

(3) UHF oscillator circuit

This is the differential oscillator same circuit as the VHF oscillator. In Electrical Characteristics Test Circuit, oscillation is executed as a Colpitts oscillator using one side transistor of the differential amplifier.

(4) UHF mixer circuit

This is the double-balanced mixer same circuit as the VHF mixer. The RF signal input terminal are to Pins 10 and 12. These are used balanced differential input from pre-stage double tune circuit, or an unbalanced input to Pin 10 with the capacitor connected at Pin 12 to GND. Balanced input achieves better NF rather than unbalanced input.

Otherwise, the conditions and usage are the same as for the VHF mixer.

(5) IF amplifier circuit

The mixer output signal is amplified by the IF amplifier and output to Pin 1. The output impedance is approximately 75Ω .

(6) UHF/VHF switching circuit

UHF / VHF modes are switched by the DC voltage at Pin 7. UHF operation is for open or 0V; VHF operation, for 3V or more.

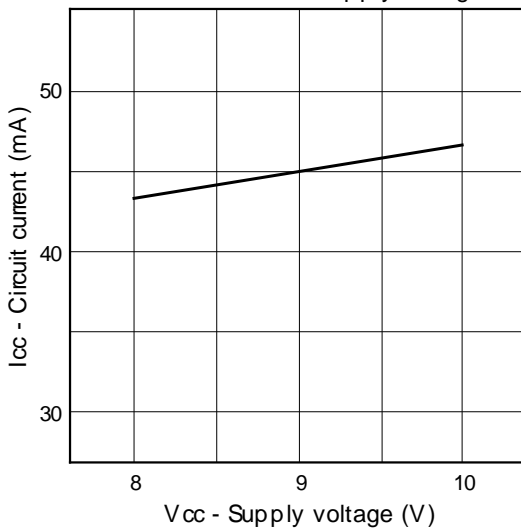
Normally, for internal protection UHF/VHF switch is performed by 9V or open through about $10k\Omega$ resistor.

Notes on Usage

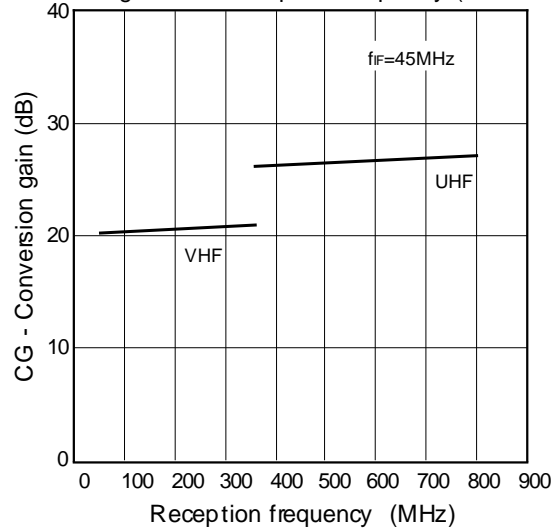
Care should be taken in placing external parts because high frequencies are present. Adjust accordingly to prevent heat problems with special care for Pins 6 and 13 (GND) whose heat dissipation accumulate.

Example of Representative Characteristics

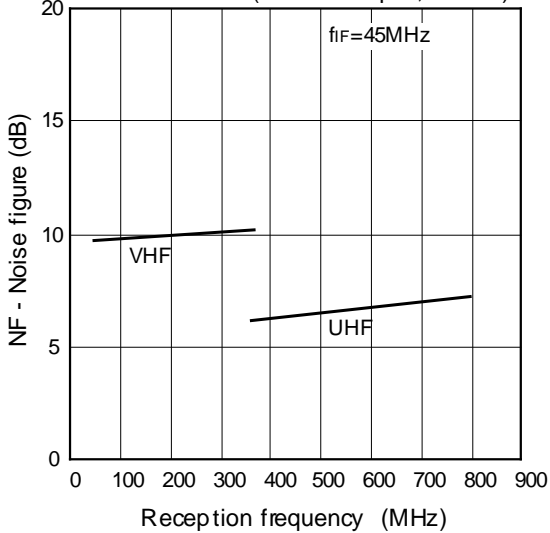
Circuit current vs. Supply voltage



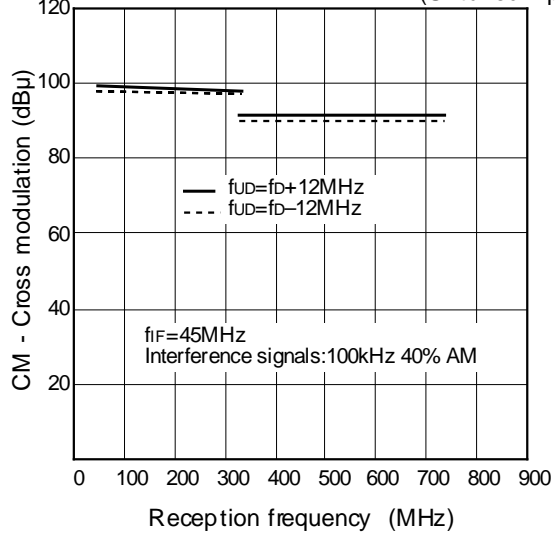
Conversion gain vs. Reception frequency (Untuned input)



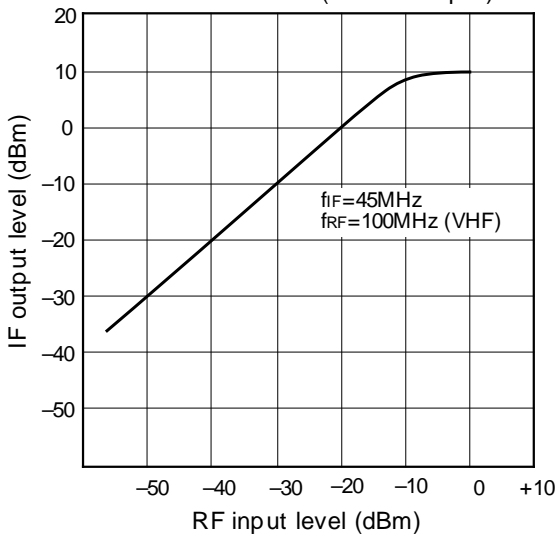
Noise figure vs. Reception frequency (Untuned input, in DSB)



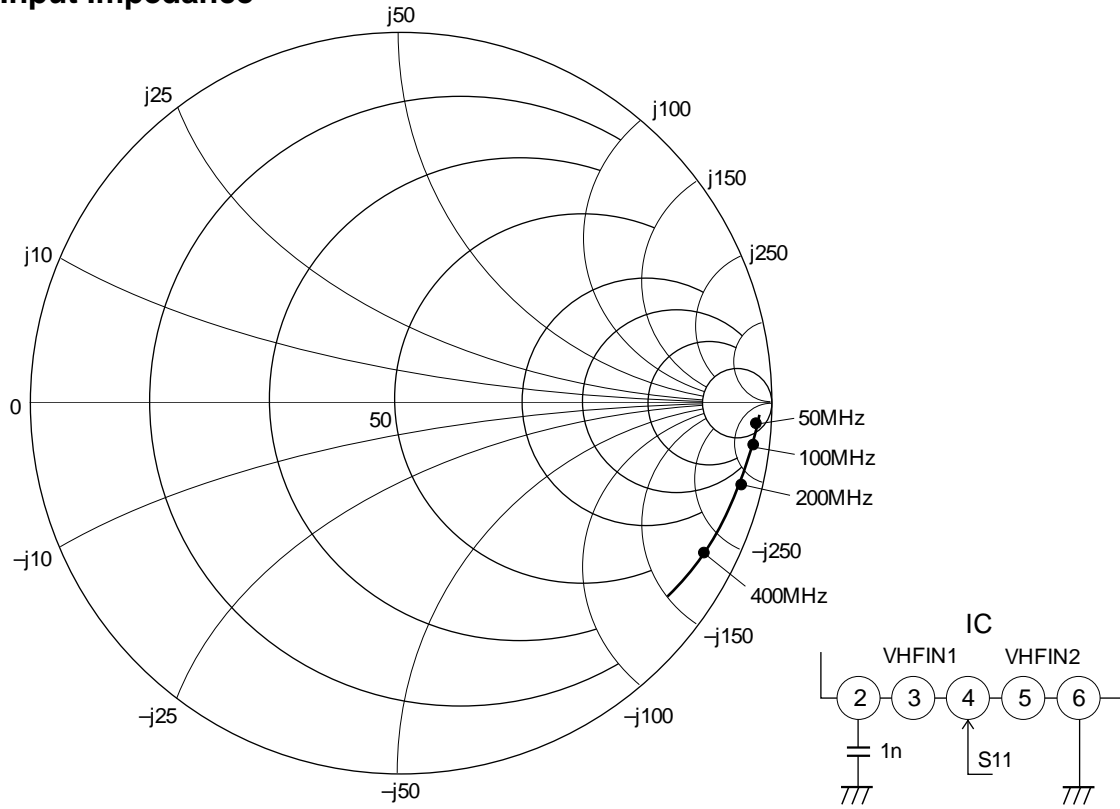
Next adjacent cross modulation vs. Reception frequency (Untuned input)



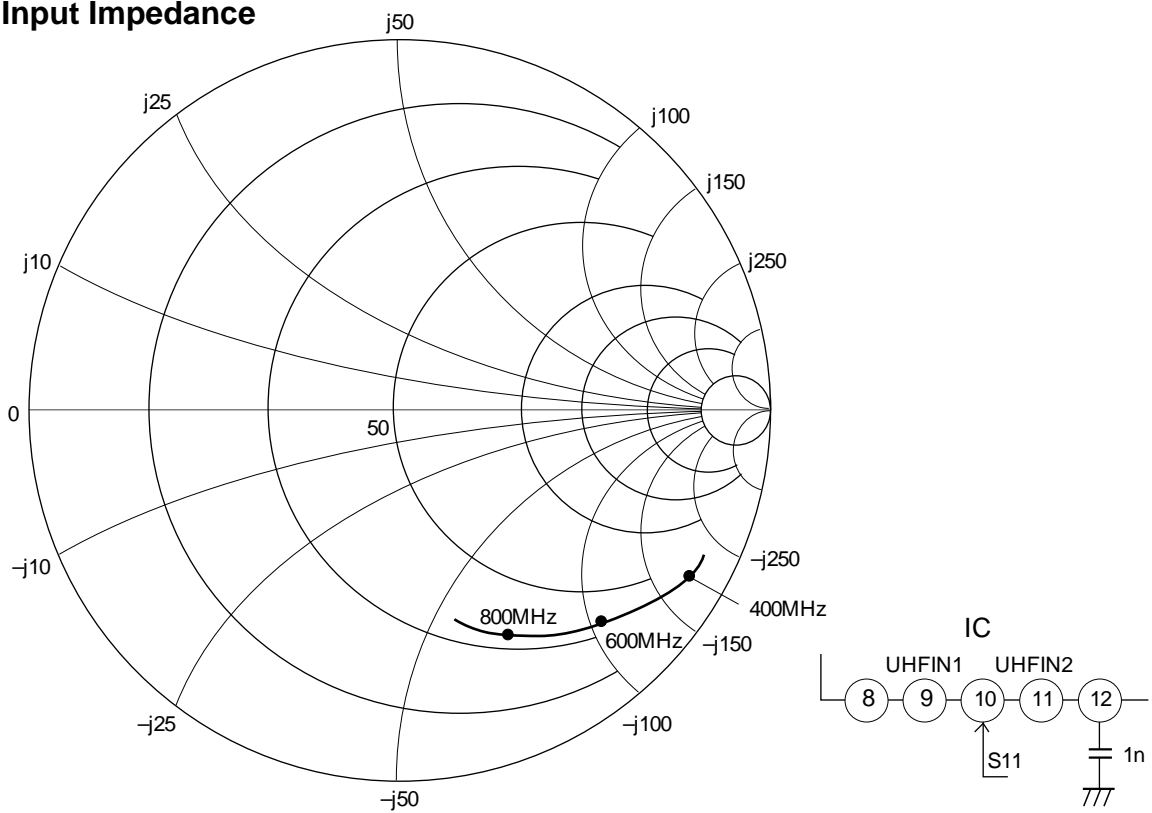
I/O characteristics (Untuned input)



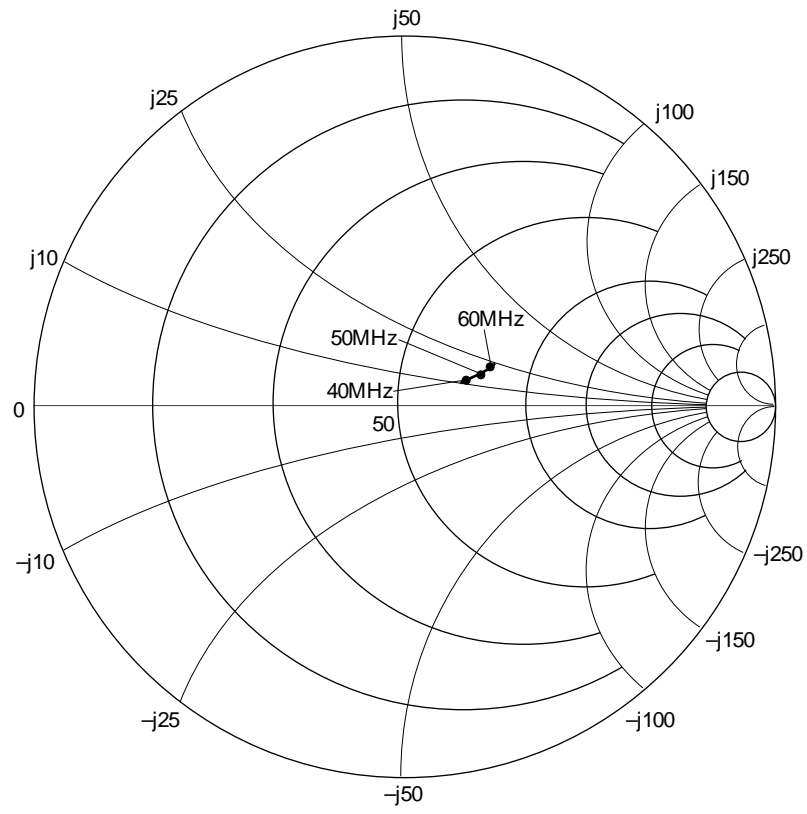
VHF Input Impedance



UHF Input Impedance

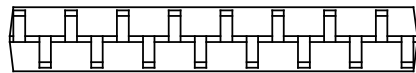
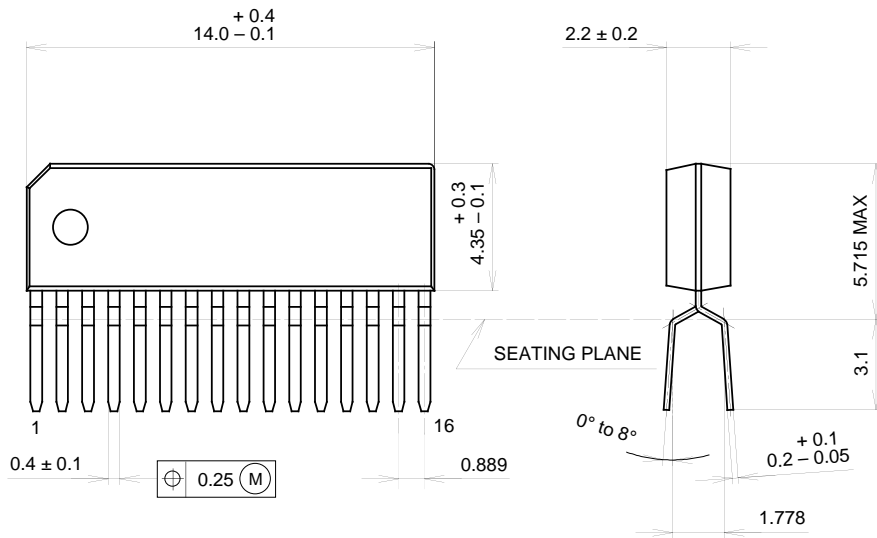


IF Output Impedance



Package Outline Unit : mm

16PIN SZIP (PLASTIC) 225mil



PACKAGE STRUCTURE

SONY CODE	SZIP-16P-01
EIAJ CODE	SZIP016-P-0225-A
JEDEC CODE	_____

PACKAGE MATERIAL	EPOXY RESIN
LEAD TREATMENT	SOLDER PLATING
LEAD MATERIAL	COPPER ALLOY
PACKAGE WEIGHT	0.3g